



FARM EQUIPMENT

ACTIVITY BOOK

This book belongs to:

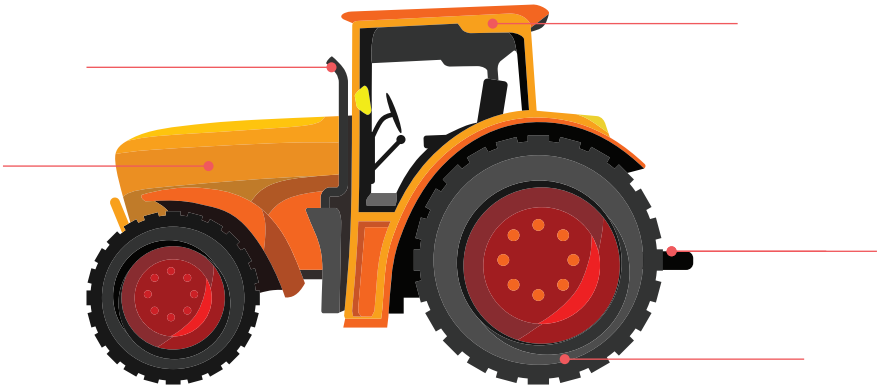
TRACTOR PARTS

A tractor is a large vehicle used to pull pieces of equipment

CHALLENGE:

Label the parts of the tractor

TIRE DRIVER'S CAB ENGINE HITCH EXHAUST PIPE



TRACTOR ATTACHMENTS

There are many different attachments that can be hooked to a tractor.

Match the attachment description to the correct picture!



Sprayer:

Distributes liquid, such as fertilizer, evenly across a field.



Planter:

Places seeds in precise rows throughout a field.



Field Cultivator (Plow):

Prepares the soil by removing weeds and mixing the soil before planting.



Wagon:

Stores and moves material from one location to another.

COMBINE

Combines are used to harvest the crops by cutting and separating the plant into different pieces.

ANSWER THE QUESTIONS AND COLOR THE COMBINE!

All combines are the same.

T or F

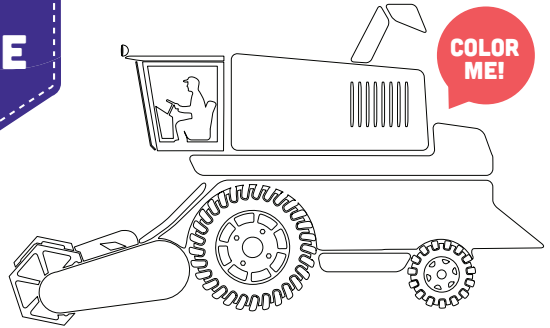
Combines were invented in the 1800s.

T or F

All crops are harvested the same way.

T or F

TRUE
or
FALSE



DID YOU KNOW?

Farm equipment utilizes technology that allows it to run smoothly and safely.



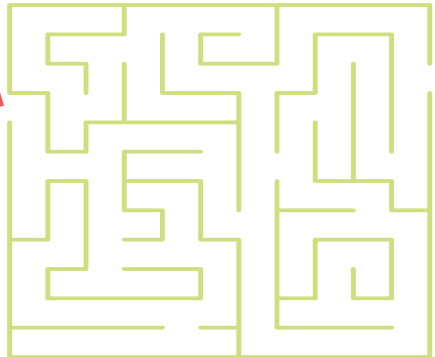
ATV (ALL TERRAIN VEHICLE) & FOUR WHEELER

CHALLENGE:

Help the farmer get from the barn to the field that is being harvested.



ATVs and four wheelers move across rough terrain easier than other vehicles.



FARM EQUIPMENT SAFETY

It is important to remember that the person driving the farm equipment cannot always see you because of blind spots. So, never stand near a piece of moving equipment.



FARM **S A F E T Y** WORD SEARCH

B	C	X	L	T	I	U	R	I	B
B	G	F	M	Q	M	O	P	N	W
I	A	E	Y	A	O	B	Q	P	Z
G	N	E	O	L	C	K	C	F	T
V	M	L	I	R	I	H	P	O	E
M	F	R	K	W	H	S	I	L	D
A	A	W	A	T	C	H	T	N	B
B	S	Y	I	T	I	L	W	E	E
T	T	Q	W	V	A	U	Q	T	N
B	U	F	W	L	K	F	V	Z	J

**MACHINE
WATCH
LISTEN
BIG
FAST**



Educational Outreach

P.O. Box 2689 | Waco, TX 76702-2689

edoutreach@txfb.org | 254-751-2258